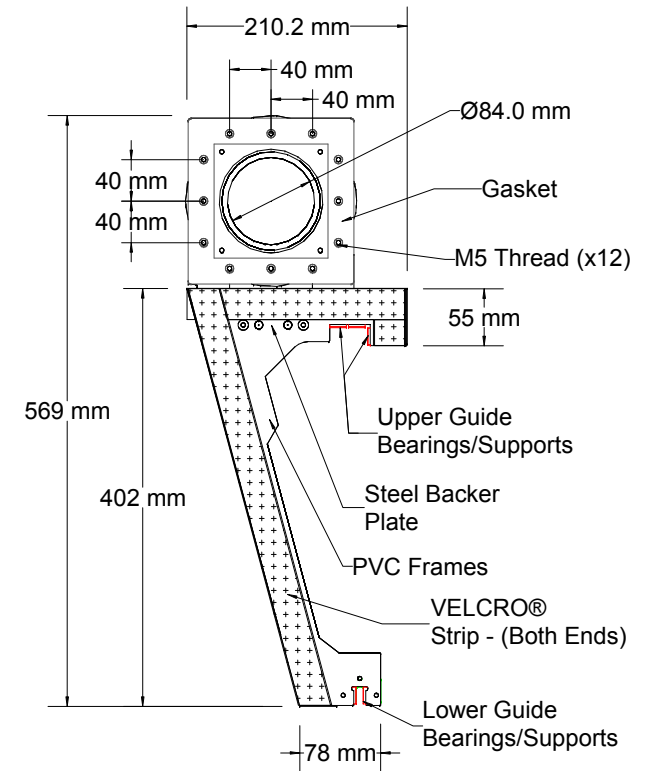
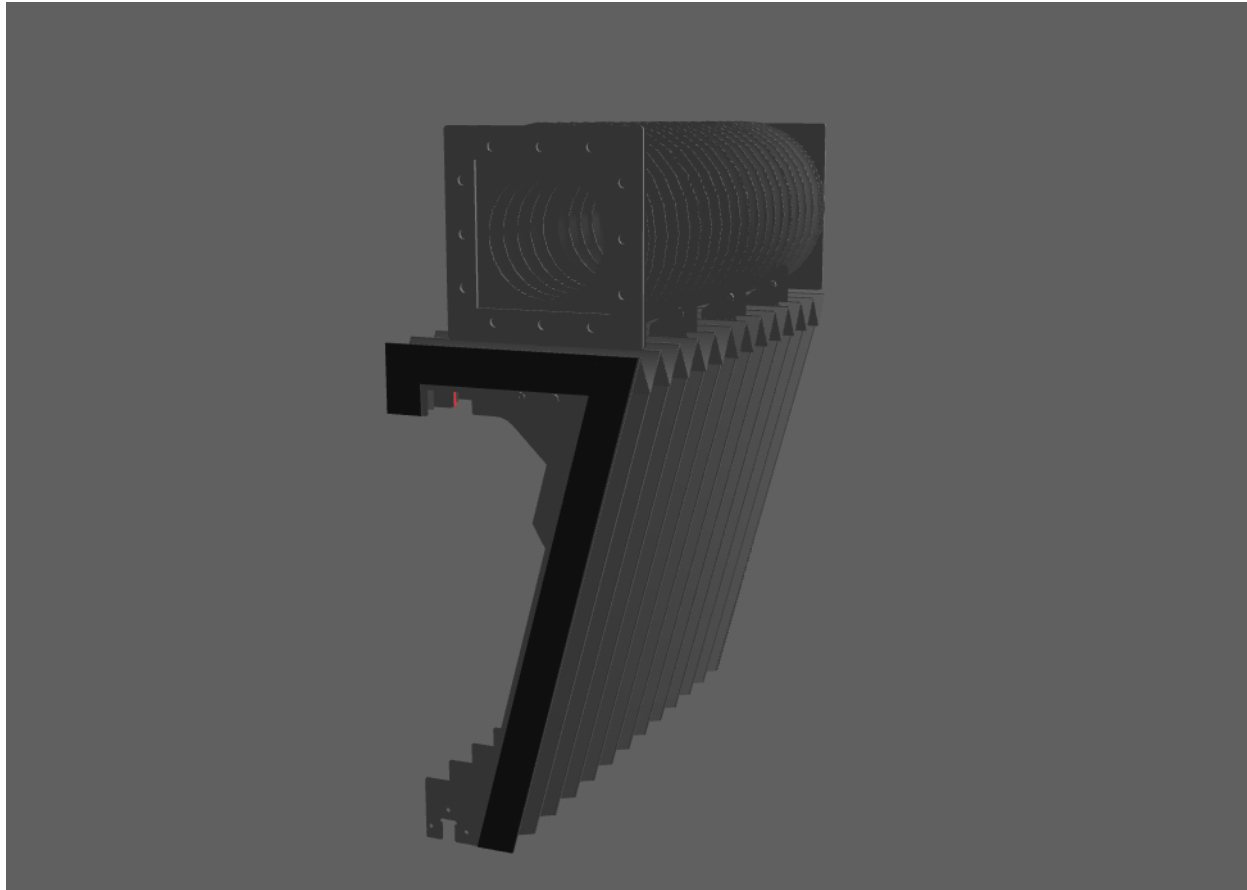


NO. RBT139/50RBY
 SUPSDS.

QTY	PRODUCT	NEXT ASSY. DWG.	NO.	DESCRIPTION OF CHANGE	SCO	DATE	BY
				NEW ISSUE		07/22/15	DSE



Notes:

- 1) Closed Length = 200 mm,
Open length = 1770 mm
- 2) Frames are made of PVC and have long life bearing guides.
- 3) Dimensions are for identification purposes only and not for inspection.

TOLERANCES UNLESS OTHERWISE SPECIFIED			
FRACTIONS ±1/64	DECIMALS: .X ±.1	.XXX ±.005	
ANGLES ±1/2°	.XX ±.01	.XXXX ±.001	
DO NOT SCALE DRAWING			
DRAWN	DSE	SCALE	NTS
ENG. MGR.		ENG. CHKD.	
ENG. MGR.		PRODN. APPD.	
MAT'L			
MAT'L. SPEC. NO.			
FINISH		PROD.	

THIS DOCUMENT IS THE PROPERTY OF RICHARDSON ELECTRONICS, LTD. AND SHALL NOT BE COPIED, REPRODUCED, USED IN THE MANUFACTURE OR SALE OF APPARATUS OR DISCLOSED TO OTHERS WITHOUT PERMISSION.

Richardson Electronics, Ltd.

**Y RAIL / BEAM BELLOWS
 REPLACES TRUMPF
 P/N 1353514 (2004 & After)**

NO. RBT139/50RBY

REV. — 0